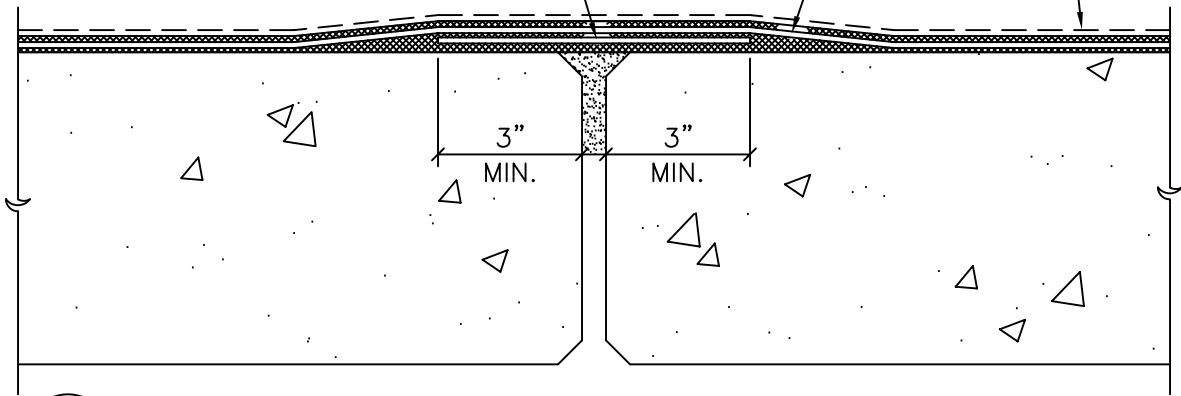


FLEX-FLASH UN (min. when joints caulked),
 FLEX-FLASH F (min. when joints grouted)
 OR OTHER APPROVED REINFORCEMENT

MONOLITHIC MEMBRANE
 6125-FR

HYDROFLEX 10



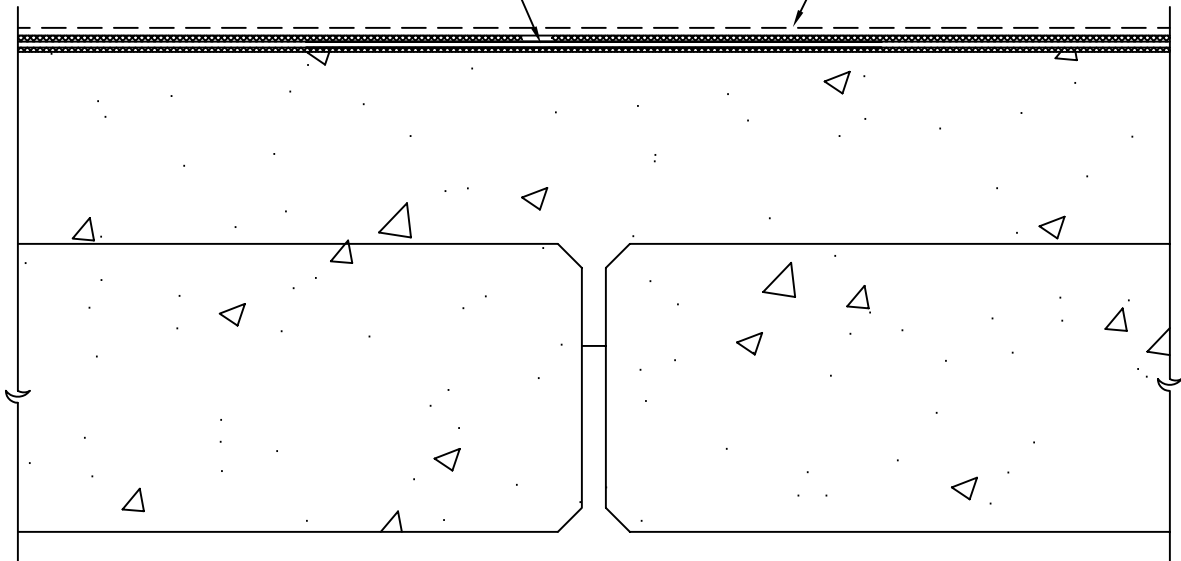
(A) WITHOUT TOPPING SLAB

NOTES: JOINTS MUST BE GROUTED OR CAULKED FLUSH.

JOINT REINFORCING REQUIRED PRIOR TO APPLICATION OF STANDARD OR
 FABRIC REINFORCED MEMBRANE ASSEMBLY.

MONOLITHIC MEMBRANE 6125-FR

HYDROFLEX 10



(B) WITH TOPPING SLAB



Monolithic
 Membrane
 6125-FR
 ROOFING SYSTEMS

AMERICAN HYDROTECH, INC.

PRECAST CONCRETE PLANK/PANEL
 JOINT TREATMENT

3"=1'-0"

R-4A