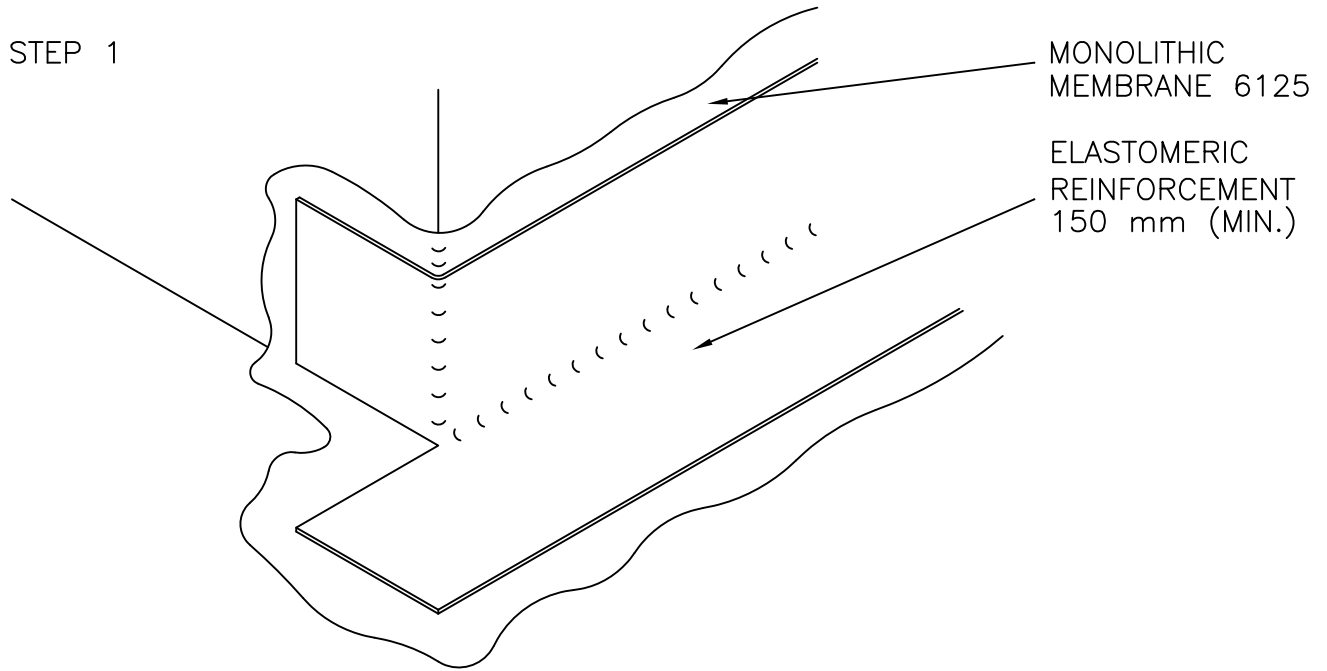
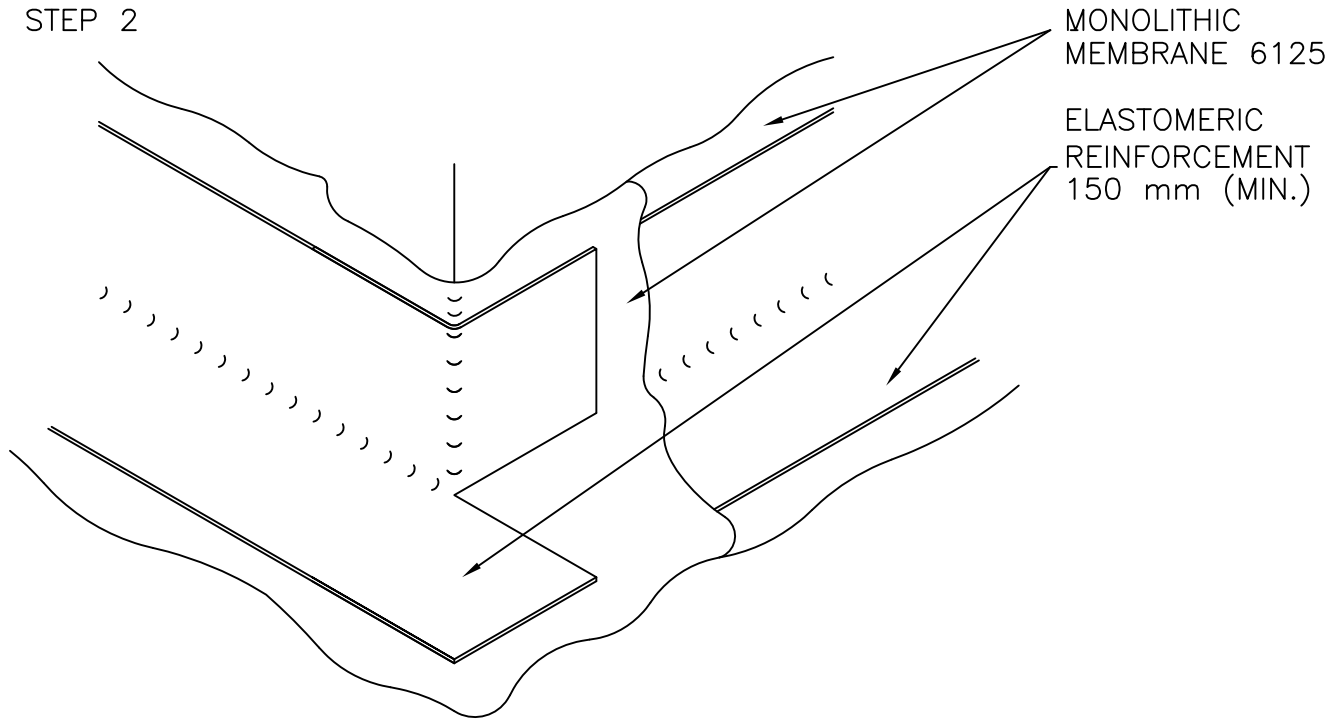


STEP 1



STEP 2



STEP 3

COMPLETELY ENCAPSULATE ALL EXPOSED REINFORCING WITH A TOP COATING OF MONOLITHIC MEMBRANE 6125. NO REINFORCING SHOULD BE LEFT EXPOSED OVERNIGHT.



MONOLITHIC
MEMBRANE
6125
ROOFING SYSTEMS

OUTSIDE CORNER
REINFORCEMENT

HYDROTECH MEMBRANE CORP.

NO SCALE

RC-16B